

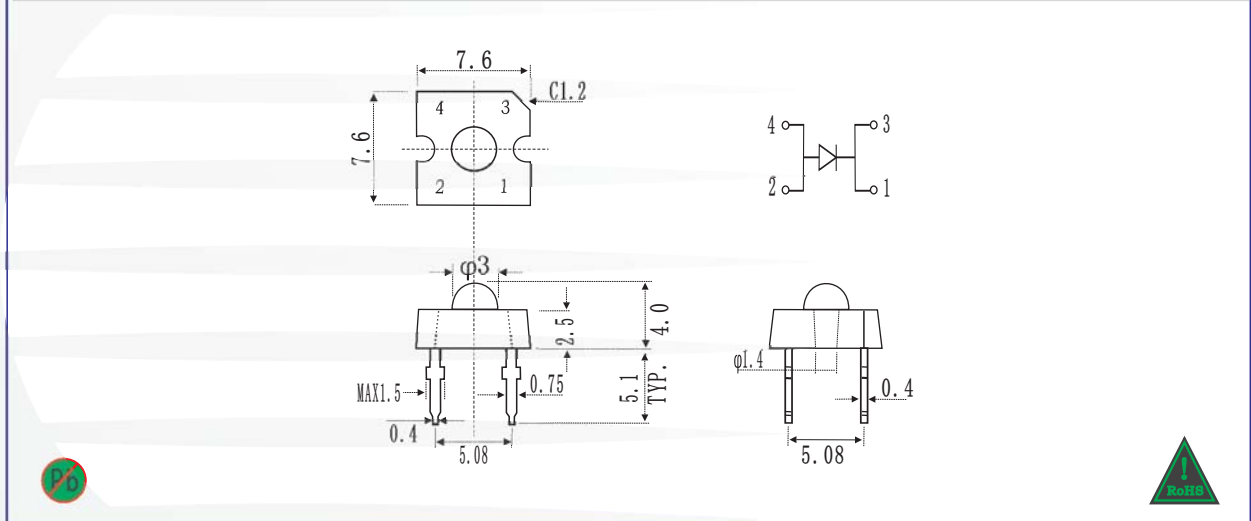


φ3mm Polygon LEDs

Part Number	Emitting Material	Wave Length λ _D (nm)	Emitting Color	Lens Type	V _F (v)	IV(mcd)	Viewing Angle 2θ _{1/2} (°)
					Typ.	Typ.	
CL-763BUT	GaInN/GaN	470	Blue	Water Clear	(at 20 mA)		60
CL-763WUT	GaInN/GaN		White	Water Clear	3.4	2500	60
CL-763RST	GaAlInP/GaAs	630	Red	Water Clear	3.4	3000	60
CL-763RST-1	GaAlInP	625	Red	Water Clear	2.2	5000	60
CL-763RST-2	GaAlInP/GaAs	620	Red	Water Clear	2.2	9000	60
CL-763GUT	GaInN/GaN	515	Pure Green	Water Clear	2.2	6000	60
CL-763GUT-1	GaInN/GaN	525	Pure Green	Water Clear	3.4	3200	60
CL-763YST	GaAlInP/GaAs	593	Yellow	Water Clear	3.4	2500	60
CL-763YST-1	GaAlInP	590	Yellow	Water Clear	2.1	5000	60
CL-763YST-2	GaAlInP/GaAs	591	Yellow	Water Clear	2.1	6000	60
CL-763BST	GaInN/GaN	470	Blue	Water Clear	2.1	4500	60
CL-763WST	GaInN/GaN		White	Water Clear	3.5	1800	60

Package Outlines

(unit:mm)



Remark: 1. All dimensions are in millimeters, tolerance is 0.25mm unless otherwise noted.
 2. Above specification is measured by CHANGLI's test instrument and may be changed without notice.
 3. Supplier will reserve authority on material change for above specification.